

826-2695, 220-240V/24V Transformer Kit

This kit relocates the existing 12-volt transformer and positions a new 24 transformer above it in split-pot control boxes. The existing transformers* are shown at right (**See figure 1.**) Follow the directions below to install the kit. *CE models differ visually

1. Unplug the fryer from all line voltage. Turning off the master power switch under the computer does not kill power to the transformers.
2. Remove the bezel and unplug and remove the computer on split-pot vats.
3. Remove the access plate below the computer. (**See figure 2.**)
4. Cut wire ties from the wiring harnesses connecting the transformers to the interface board plug.
5. Remove the 24-volt transformer; leave the piggy backs in place on the wiring.
6. Remove and reposition the 12-volt transformer. Leave the wires in place. Position it in the mounting holes used by the 24-volt transformer. (**See figure 3.**)
7. Install fuse and position the new 24-volt transformer (**see figure 6.**). Use the provided drill-point screws to secure it in the control box.
8. The 12-volt transformer is wired as it was previously.
9. Wire the 24 volt transformer as shown in **figures 5, 7** . Connect to the appropriate line voltage with a Wego connector. (**Narrow yellow stripe is 220V; wide white stripe is 240V; black is common.** **See figures 4, 5.**) Connect the red lead from the transformer to the orange wire from J2/Pin2 with spade terminals. Connect the yellow lead from the transformer to the blue wires with a Wego connector.
10. Coil and wire tie excess wiring. Do not block access to the interface board. Replace access panel. Ensure wires are not pinched.
11. Replace the computer and ensure all ground wires are replaced. (**See figure 7.**)
12. Reposition fryer near hood and test.
13. Replace bezel and reposition fryer in hood.



Figure 3: Reposition the 12-volt transformer in the spot occupied by the removed 24-volt unit. Shown with wires removed for clarity.

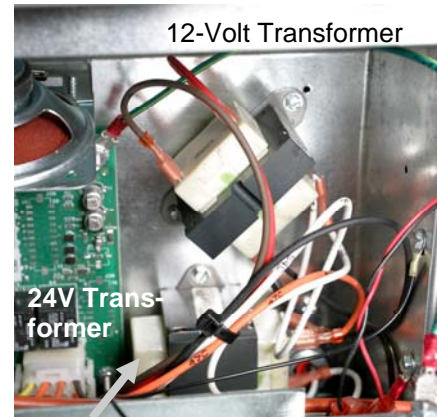


Figure 1: Existing transformer configuration. (CE units differ visually.)



Figure 2: Remove access panel under computer.

Wiring Diagram on Back

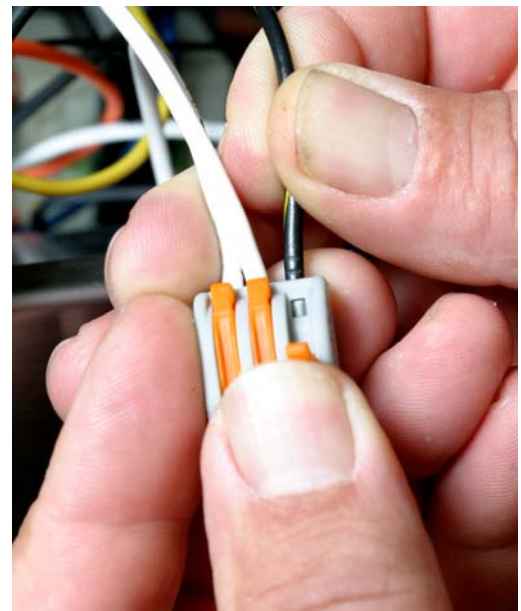


Figure 4: Connect the 24-volt transformer to the line voltage with the Wego connector: 220 is the yellow striped wire; 240 is the white striped wire.

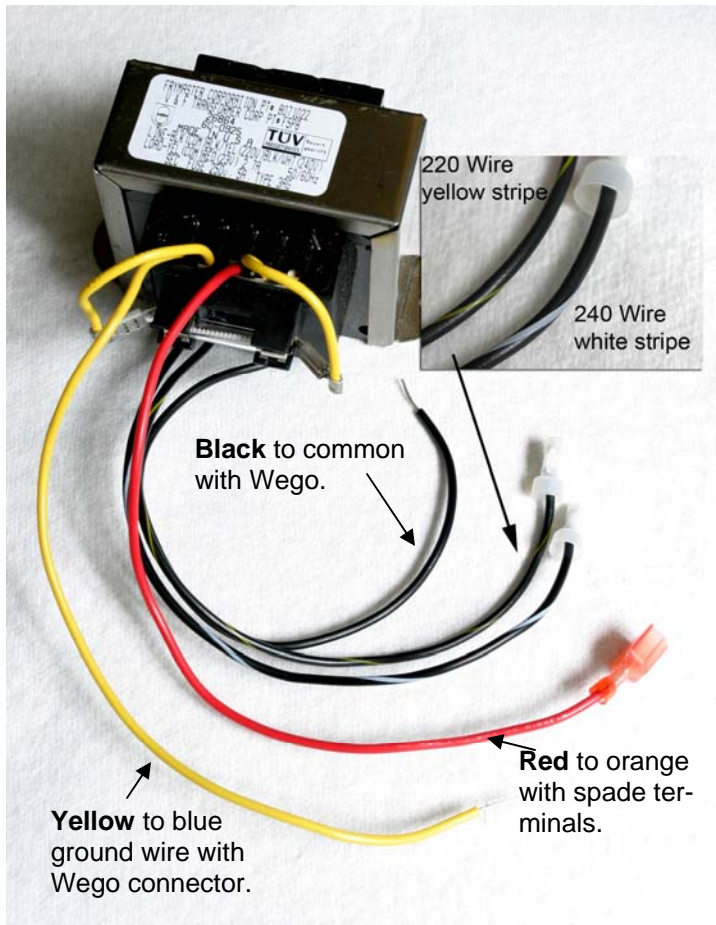


Figure 5: 24-Volt Transformer Wiring

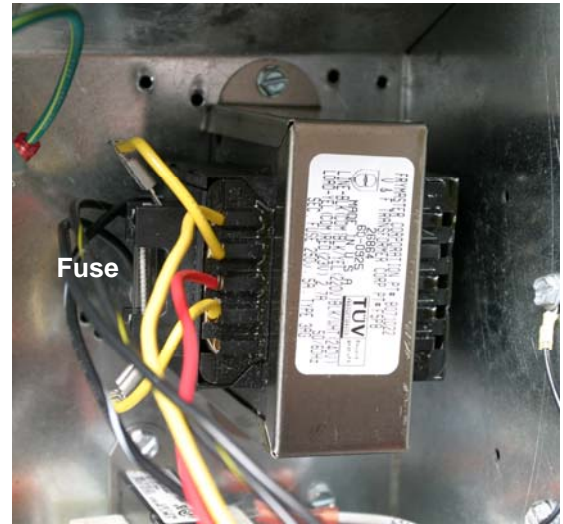


Figure 6: Position the 24-volt transformer as shown. See the wiring diagram (left and below) and the annotated wiring guide.

Completion Checklist:

- All wires connected.
- No wires pinched by access panel.
- All connections are plugged, locked into computer.
- Test unit under power; ensure it reaches setpoint.



Figure 8: The computer is shown with its grounds reconnected. The data-cable grounds on the left must be in place.

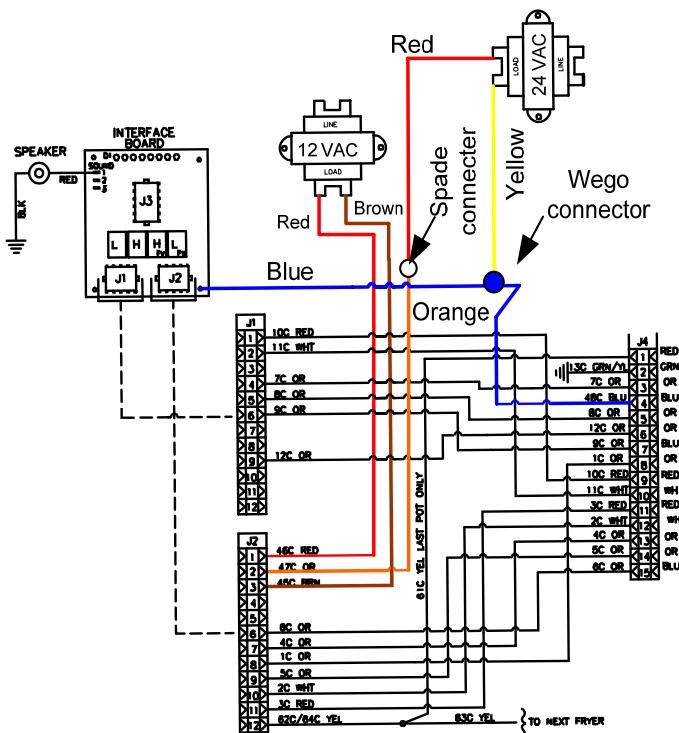


Figure 7: Wiring diagram